



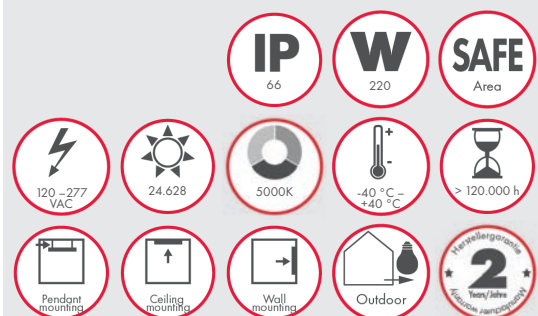
Cirrus LED

Safety lighting

Cirrus LED

The Cirrus LED highbay is perfectly suited for the food processing industry due to its robust construction and well-sealed IP66 rating.

There are a variety of non-glass lenses that can be utilised, depending on the application and desired appearance, which will provide an equivalent performance to traditional high-power metal halide luminaires.



Order Details

Type	Luminous flux (lm)	Power consumption (W)	Operating temperature (°C)	Weight (Kg)
CIRI/25L/LE	24.628 lm	220 W	-40 °C up to +40 °C	17,3 Kg

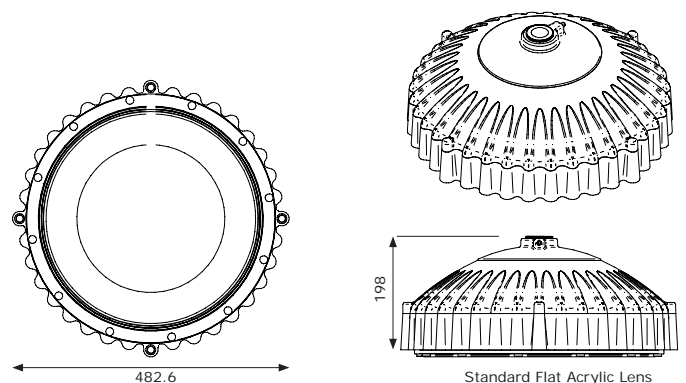
Technical Details

Light source	LED
Power consumption (W)	220 W
Voltage Range (V)	120-277V AC 50/60Hz
Luminous flux (lm)	24.628 lm
Lumen/Watt	112 lm/W
Light color	Cool white
Color Temperature (K)	5000K
Overvoltage protection	3kV
Operating temperature (°C)	-40 °C up to +40 °C
Housing material	White painted cast aluminium body
Entry	Threaded conduit through rear of luminaire
Lens	Flat Acrylic P95 lens
Size (LxWxH)	Ø482,6x198 mm
Weight (Kg)	17,3 Kg
Installation	Pendant mounted, 3/4" NPS
Driver	Electronic Driver
Additional information	Termination: At rear of luminaire using lever nuts

Certificate Details

IP Rating	IP66
-----------	------

Technical Drawings



ISMACON

industrial. solution. management. **connected!**

ISMACON GmbH

Albert-Einstein-Straße 10
48431 Rheine

Tel. +49 5971 95 79 79-0

Fax +49 5971 95 79 79-9

info@ismacon.com

www.ismacon.com