



Eclipse II LED

Safety lighting

Eclipse II LED

The Eclipse II LED has been designed to make installation quick and simple. The lamp and gear chambers are separated for easy maintenance and require no special cable glands.

The luminaire also features a swing barrel nut system. This allows prior installation and wiring of the mounting base without the need to support the body and lamps. This unique design saves on both time and labour costs.



Order Details

Type	Luminous flux (lm)	Power consumption (W)	Operating temperature (°C)	Weight (Kg)
EC2I/06L/LE	5.842 lm	55 W	-40 °C up to +55 °C	11,5 Kg
EC2I/09L/LE	8.525 lm	80 W	-40 °C up to +55 °C	12,0 Kg
EC2I/12L/LE	12.220 lm	100 W	-40 °C up to +55 °C	12,0 Kg
EC2I/16L/LE	15.630 lm	140 W	-40 °C up to +40 °C	12,0 Kg

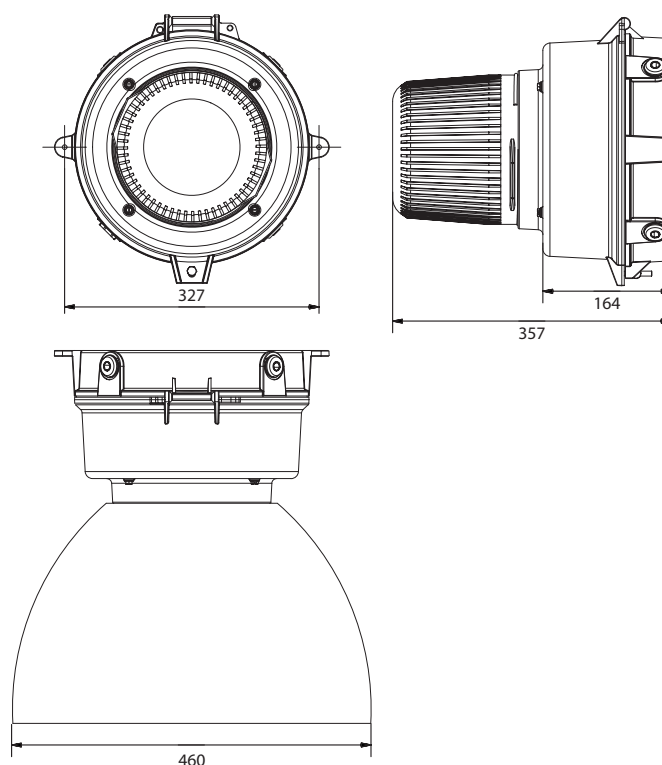
Technical Details

Light Source	LED
Power consumption (W)	55 W up to 140 W
Voltage Range (V)	120-254V AC 50/60Hz
Luminous flux (lm)	5.842 lm up to 15.630 lm
Lumen/Watt	106 lm/W up to 122 lm/W
Light color	Cool White
Color Temperature (K)	5000K
Overvoltage protection	4kV line to line, 6kV line to earth
Operating temperature (°C)	-40 °C up to +55 °C and -40 °C up to +40 °C
Entry	Up to 4 x M20 cable entries
Size (LxWxH)	Ø327x357 mm
Weight (Kg)	11,5 Kg up to 12,0 Kg
Installation	Surface mounted
Driver	Elektronischer Treiber
Additional information	Termination: 3 core 6mm ² max. conductor with looping
Driver	Electronic Driver
Additional information	Termination: 4 core 4mm ² max conductor with looping and through wiring 16A rating

Certificate Details

IP Rating	IP66
-----------	------

Technical Drawings



ISMACON

industrial. solution. management. **connected!**

ISMACON GmbH

Albert-Einstein-Straße 10
48431 Rheine

Tel. +49 5971 95 79 79-0

Fax +49 5971 95 79 79-9

info@ismacon.com

www.ismacon.com