



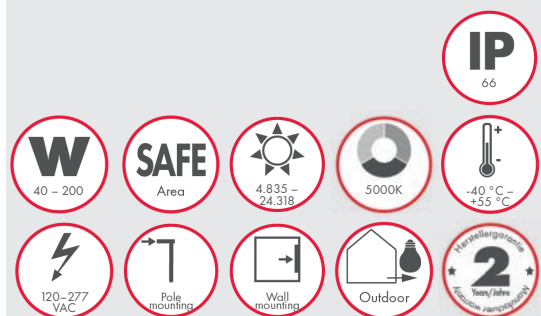
## Starline II LED

### Road & Path lighting

#### Starline II LED

The Starline II LED perfectly combines innovations in heat management, optical performance and energy saving in a sleek exterior.

The ultimate solution to replace traditional HID sources with versatility and reliability. High power LEDs minimise energy and operating costs, while the low profile appearance and low weight allow the Starline II to be safely installed on new and existing infrastructure.



## Order Details

Type	Luminous flux (lm)	Power consumption (W)	Operating temperature (°C)	Weight (Kg)
SL2I/05L/LE	4.835 lm	40 W	-40 °C up to +55 °C	5,0 Kg
SL2I/09L/LE	8.923 lm	75 W	-40 °C up to +55 °C	5,0 Kg
SL2I/13L/LE	13.226 lm	120 W	-40 °C up to +55 °C	6,0 Kg
SL2I/17L/LE	17.355 lm	150 W	-40 °C up to +55 °C	6,0 Kg
SL2I/24L/LE	24.318 lm	200 W	-40 °C up to +55 °C	6,0 Kg

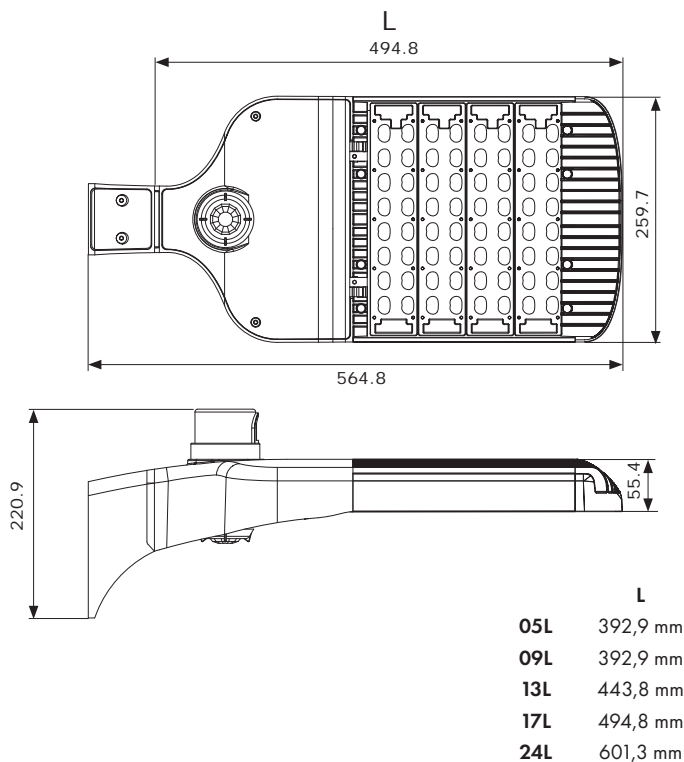
## Technical Details

Light source	LED
Power consumption (W)	40 W – 200 W
Voltage Range (V)	120 - 277V AC 50/60Hz
Luminous flux (lm)	4.835 lm up to 24.318 lm
Lumen/Watt	110 bis 122 lm/W
Light color	Cool White
Color Temperature (K)	5000K
Overvoltage protection	6kV
Operating temperature (°C)	-40 °C up to +55 °C
Housing material	Die cast aluminum alloy with white polyester powder coat paint
Entry	Side entry as standard
Housing colour	white
Size (LxWxH)	393x26x55,5 mm up to 601x26x55,5 mm
Weight (Kg)	5 Kg up to 8 Kg
Installation	Spigot entry
Driver	Electronic driver
Additional information	Pre-installed flying leads; Under-side access, secured by socket heads

## Certificate Details

IP Rating	IP66
-----------	------

## Technical Drawings



**ISMACON**

industrial. solution. management. **connected!**

**ISMACON GmbH**

Albert-Einstein-Straße 10  
48431 Rheine

Tel. +49 5971 95 79 79-0

Fax +49 5971 95 79 79-9

info@ismacon.com

www.ismacon.com